

Care and Maintenance

Dust with a soft, dry cloth. Do not use abrasive cleaner. To clean mirror, spray a small amount of glass cleaner onto a lint-free cloth and wipe mirror clean.





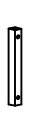


Notice

* Please make sure that you have all parts indicated before you begin assembly of this item.

* This item should be assembled on a soft surface to prevent scratching the finish during assembly

* This item may require periodic tightening

Part List and Hardware List

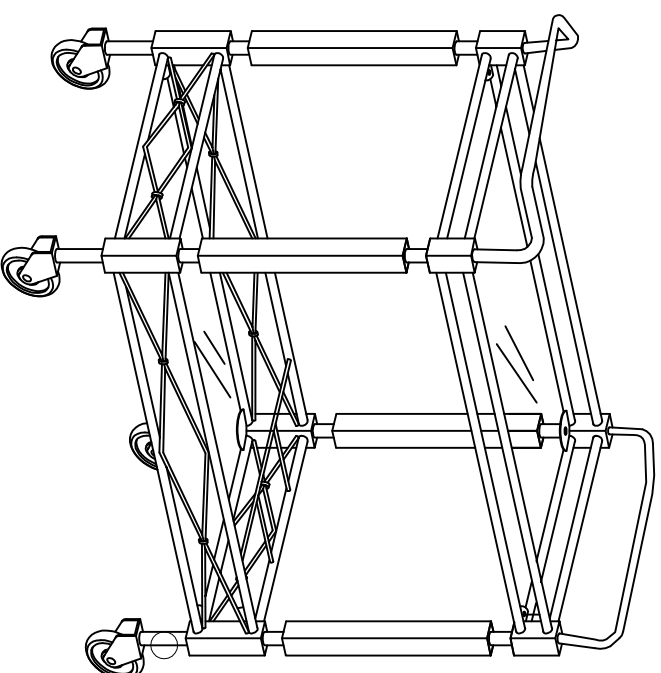
PIECE	DESCRIPTION	PICTURE	QUANTITY	PIECE	DESCRIPTION	PICTURE	QUANTITY
A	Top Frame		1X	E	Phillips Screws 3/16"-24 x 1"		8X
B	Bottom Frame		1X	F	Pad		8X
C	Leg		4X	G	Wheel		4X
D	Glass		2X	H			

SAFAVIEH

FURNITURE

Model# BCT8000A

Product Dimensions: 31.57"L x 16.06"D x 31.30"H



WEIGHT CAPACITY: 22lbs per shelf

Preparation

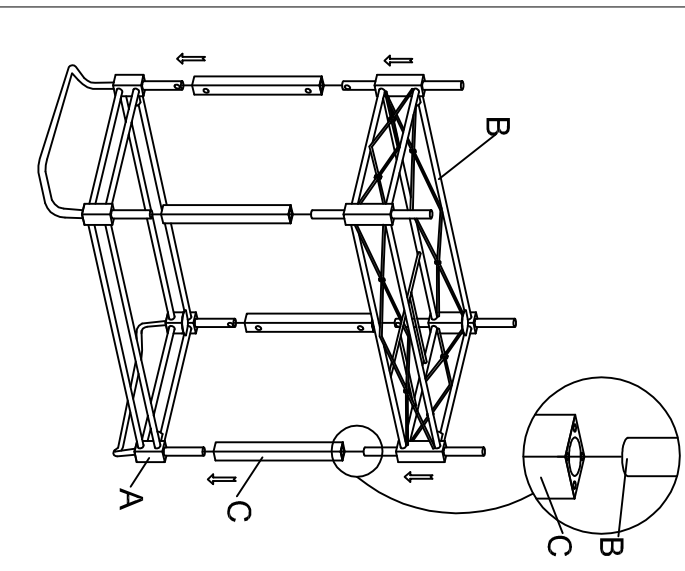
Before beginning assembly of product, make sure all parts are present. Compare parts with package contents list and hardware contents list. If any part is missing or damaged, do not attempt to assemble the product.

Estimated Assembly Time: 30 minutes.

Tools Required for Assembly (included): Assembly Final

1

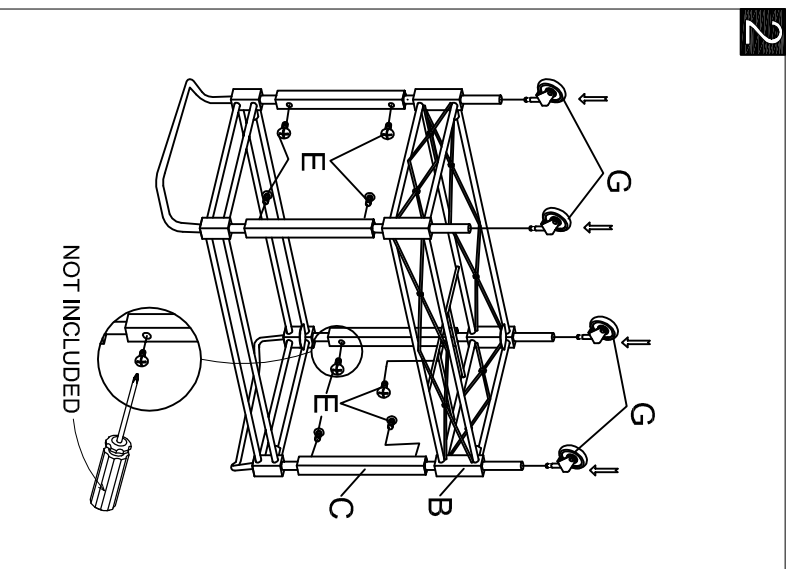
Please make sure the four small drain holes face up during assembly.



Step 1

Assemble top frame (A), leg (C) and bottom frame (B) together as shown in drawing.

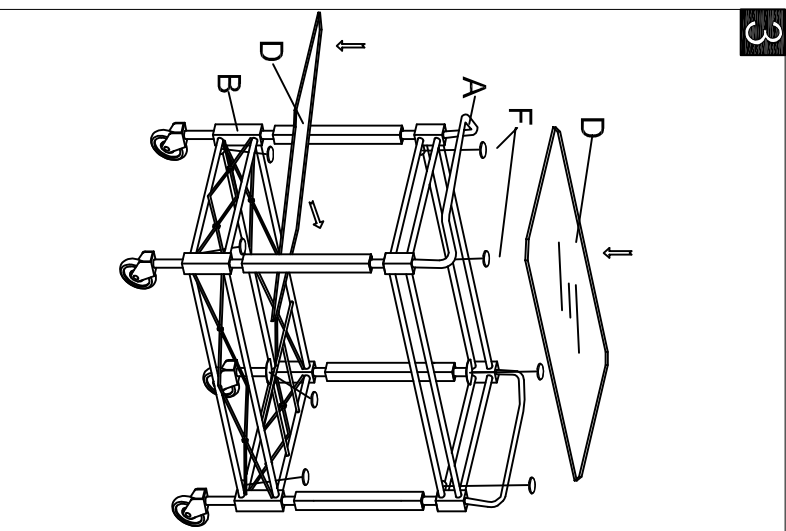
2



Step 2

Screw in bolt (E) onto the holes in leg (C) as shown in drawing by use of screw driver (G) into bottom frame (B) in drawing.

3



Step 3

Put glass pad (F) onto the tabs on the corners. Then place glass (D) onto the subassembly top frame (A) and bottom frame (B).