

## CARE AND MAINTENANCE

Wipe clean with a soft, dry cloth. Test the cleaning method on a hidden area before using them over the entire area.

## NOTICE

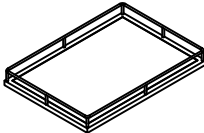
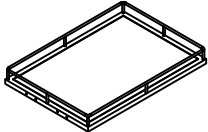
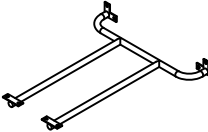




- \* Please make sure that you have all parts indicated before you begin assembly of this item.
- \* This item should be assembled on a soft surface to prevent scratching the finished product during assembly.
- \* This item may require periodic tightening.
- \* Do not tighten bolts until completely assembled.

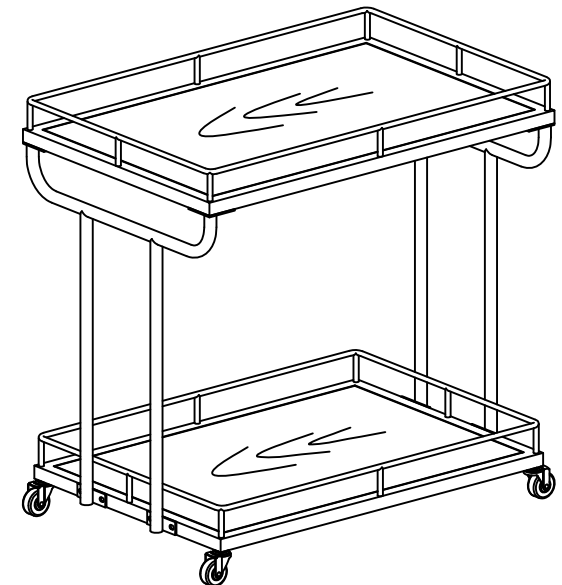
**SAFAVIEH**  
FURNITURE

Model# BCT6200

Product Dimensions: 32"Wx21"Dx32"H

## Part List and Hardware List

PIECE	DESCRIPTION	PICTURE	QUANTITY
A	Top Panel		1x
B	Bottom Panel		1x
C	Connecting Post		2x
H1	Allen Bolt	 1/4"x 3/4"	16x
H2	Allen Key	 M4	1x
H3	Caster	 $\phi 2'' \times 1/4'' \times 15\text{mm}$	4x
H4	Wrench	 M12	1x



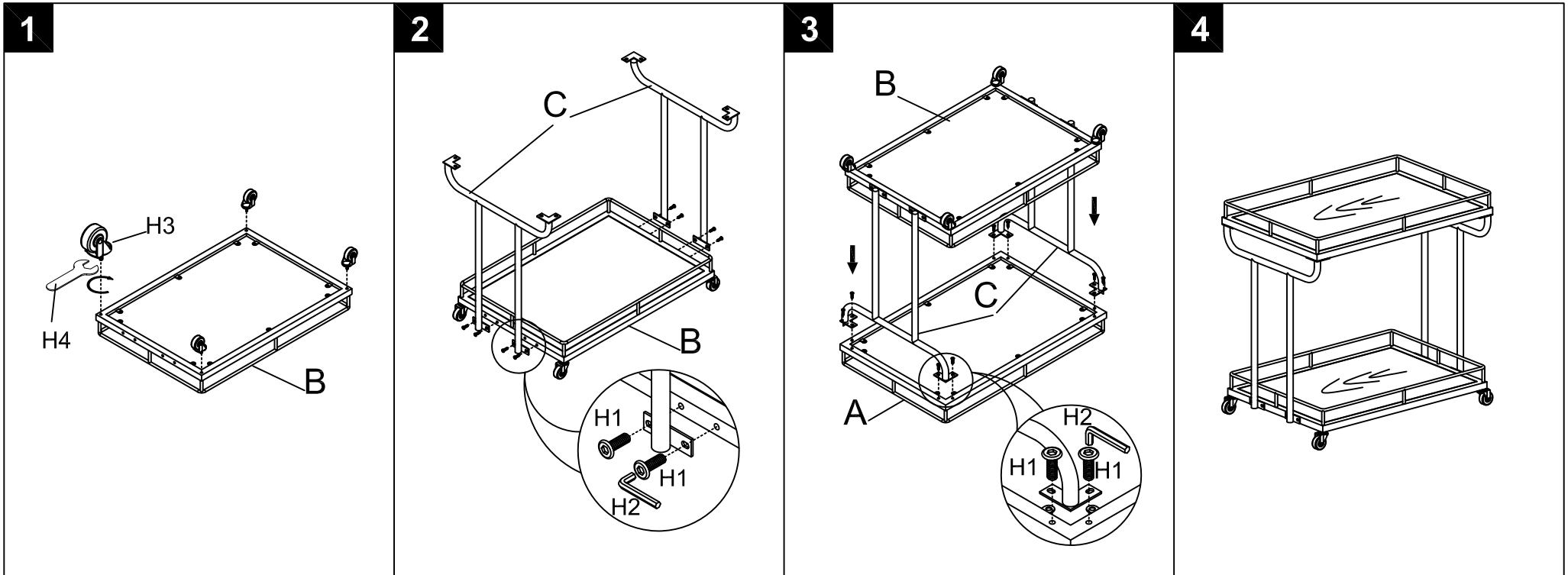
Weight capacity : 25 lbs  
WARNING : DO NOT STAND ON TABLE  
WARNING : DO NOT OVER TORQUE BOLTS

## PREPARATION

Before beginning assembly of product, make sure all parts are present. Compare parts with package contents list and hardware contents list. If any part is missing or damaged, do not attempt to assemble the product.

Estimated Assembly Time: 15 minutes.

Tools Required for Assembly (included): Allen Key / Wrench



### Step 1

Attach 4\*Casters (H3) to the underneath of bottom panel (B), Use a Wrench (H4) to lock these 4\*Caster (H3) on each corner, as picture.

### Step 2

Turn the assembled part of step 1 be upright, Then attach 2\*Connecting posts (C) to both side of the bottom panel (B), Use Allen Key (H2) to lock by 8\*Allen bolts (H1), as picture.

### Step 3

Attach the assembled part of step 2 to the underneath of top panel (A), Use Allen Key (H2) to lock by 8\*Allen bolts (H1) on each corner, as picture.

### Step 4

Straighten up the assembled cart, Assembly is completed.