










CARE AND MAINTENANCE

Wipe clean with a soft, dry cloth. The seat board can be cleaned with a mild cleaner. Test the cleaning method on a hidden area before using them over the entire area.

NOTICE

- * Please make sure that you have all parts indicated before you begin assembly of this item.
- * This item should be assembled on a soft surface to prevent scratching the finished product during assembly.
- * This item may require periodic tightening.
- * Do not tighten bolts until completely assembled.

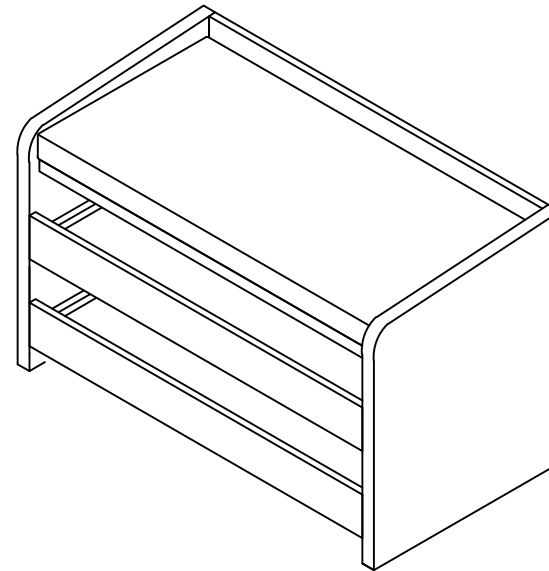
Part List and Hardware List

Piece	Description	Picture	Quantity
A	LEFT PANEL		1 X
B	RIGHT PANEL		1 X
C	BACK PANEL		1 X
D	BOTTOM BOARD		1 X
E	TRESTLE		1 X
F	SLIDING SHELF		2 X
G	CUSHION		1 X
H1	ALLEN BOLT Ø1/4"*1-3/4"		14 X
H2	ALLEN KEY 4mm		1 X

 **SAFAVIEH**
FURNITURE

Model# BCH6400

Product Dimensions: 33-3/4"W*17-1/2D*20-5/8"H.



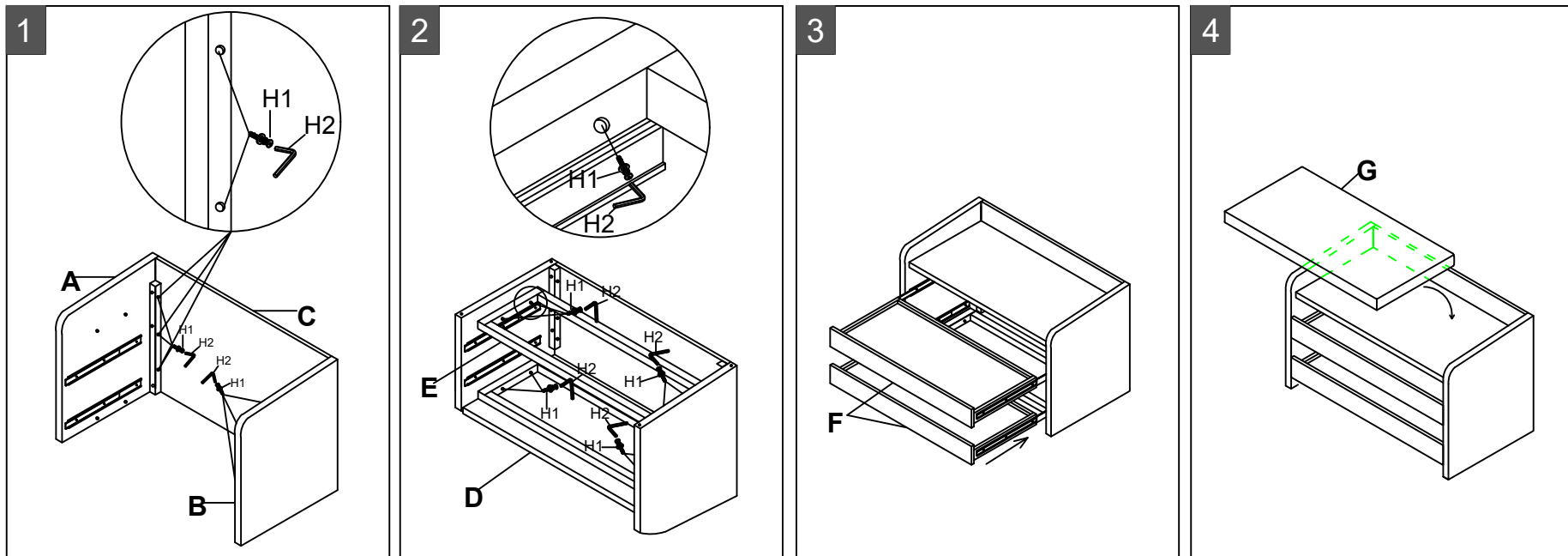
Weight Capacity : 550 lbs on top of the product
Warning : Do not stand on the product
Warning : Do not over torque bolts

PREPARATION

Before beginning assembly of product, make sure all parts are present. Compare parts with package contents list and hardware contents list. If any part is missing or damaged, do not attempt to assemble the product.

Estimated Assembly Time:15 minutes.

Tools Required for Assembly (included):Allen key.



Step 1:
Attach left panel (A) and right panel (B) to the back panel (C), Use Allen Key (H2) to lock 6*Allen bolts (H1), as picture.

Step 2:
Attach bottom board (D) and trestle (E) in the corresponding position on the assembled wood frame (as step 1), Use Allen Key (H2) to lock 8*Allen bolts (H1), as picture.

Step 3:
Insert the two sliding shelves (F) into the metal glide rails respectively, then pushed back to the bench, as picture.

Step 4:
Put the cushion (G) on the assembled bench and the assembly is completed.