



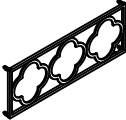



CARE AND MAINTENANCE

Wipe clean with a soft, dry cloth. Test the cleaning method on a hidden area before using them over the entire area.

NOTICE

- * Please make sure that you have all parts indicated before you begin assembly of this item.
- * This item should be assembled on a soft surface to prevent scratching the finished product during assembly.
- * This item may require periodic tightening.
- * Do not tighten bolts until completely assembled.

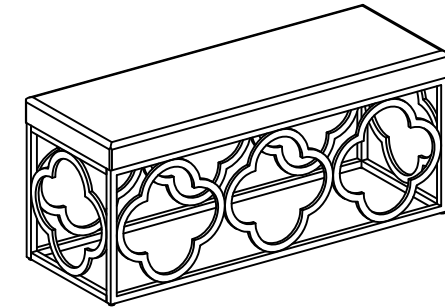
Part List and Hardware List

PIECE	DESCRIPTION	PICTURE	QUANTITY
A	Seat Cushion		1x
B	Short Side Frame		2x
C	Long Side Frame		2x
HW1	Hex Socket Bolt	 1/4"-20x5/8"	16x
HW2	Wood Screw	 $\phi 4 \times 15 \text{mm}$	6x
HW3	Allen Key	 M4	1x

 **SAFAVIEH**
FURNITURE

Model# BCH6205

Product Dimensions: 44-1/2"Wx16-1/2"Dx19"H



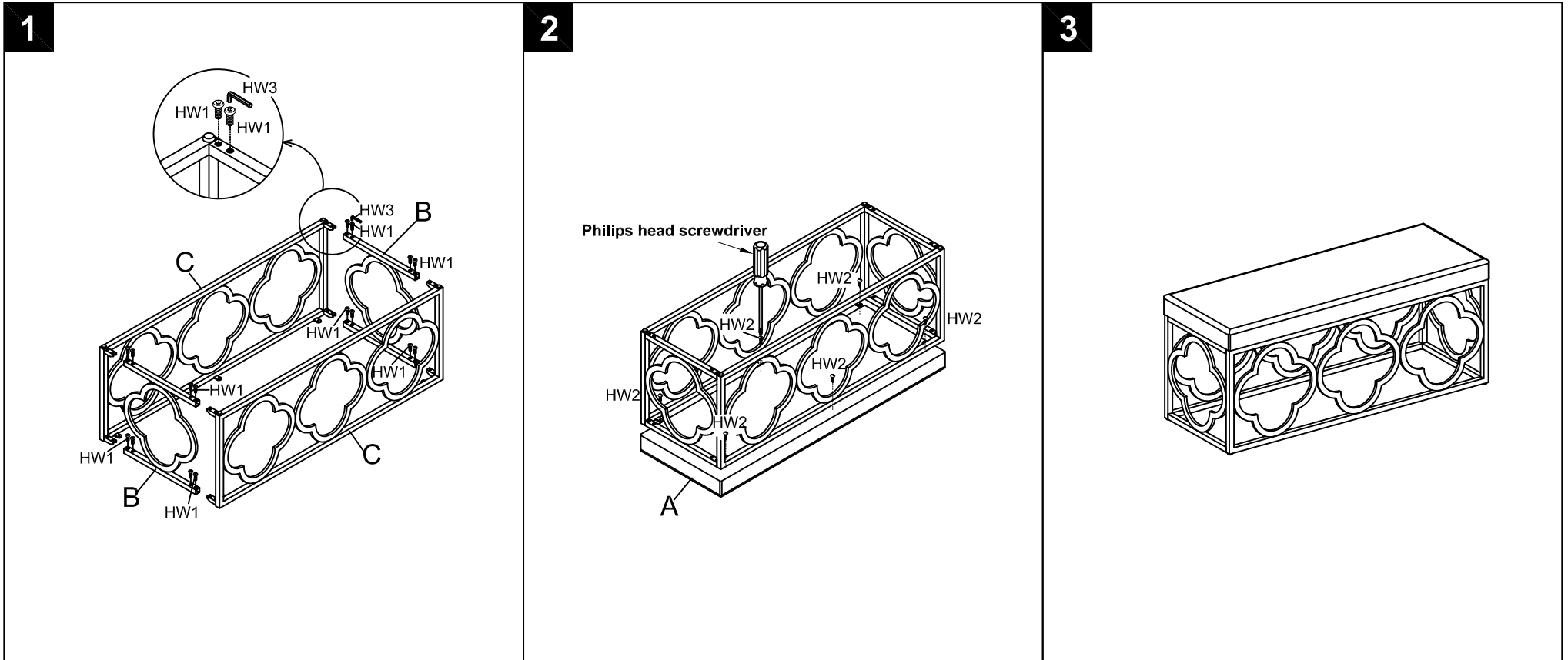
Weight capacity : 550 lbs
WARNING:DO NOT STAND ON THE PRODUCT

PREPARATION

Before beginning assembly of product, make sure all parts are present. Compare parts with package contents list and hardware contents list. If any part is missing or damaged, do not attempt to assemble the product.

Estimated Assembly Time: 15 minutes.

Tools Required for Assembly : Allen Key (included) and Philips head screwdriver (not included)



Step 1

Insert the protruding part of 2*Long Side Frame (C) into the tube of 2*Short Side Frame (B). Then use Allen Key (HW3) to lock through holes on Short Side Frame (B) with 16*Hex Socket Bolts (HW1), as picture.

Step 2

Attach the bottom side of Seat Cushion (A) to the assembled metal frame, Use Philips head screwdriver (tool is not included) to lock with 6*Wood Screw (HW2), as picture.

Step 3

Straighten up the assembled product, Assembly is completed.