

CARE AND MAINTENANCE

Spot clean using a mild water-free solvent. Only a professional cleaner should undertake a complete overall cleaning.

The use of steam or water-based cleaners may cause excessive shrinking or staining.



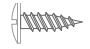




NOTICE

* Please make sure that you have all parts indicated before you begin assembly of this item

* This item should be assembled on a soft surface to prevent scratching the finish during assembly

* This item may require periodic tightening.

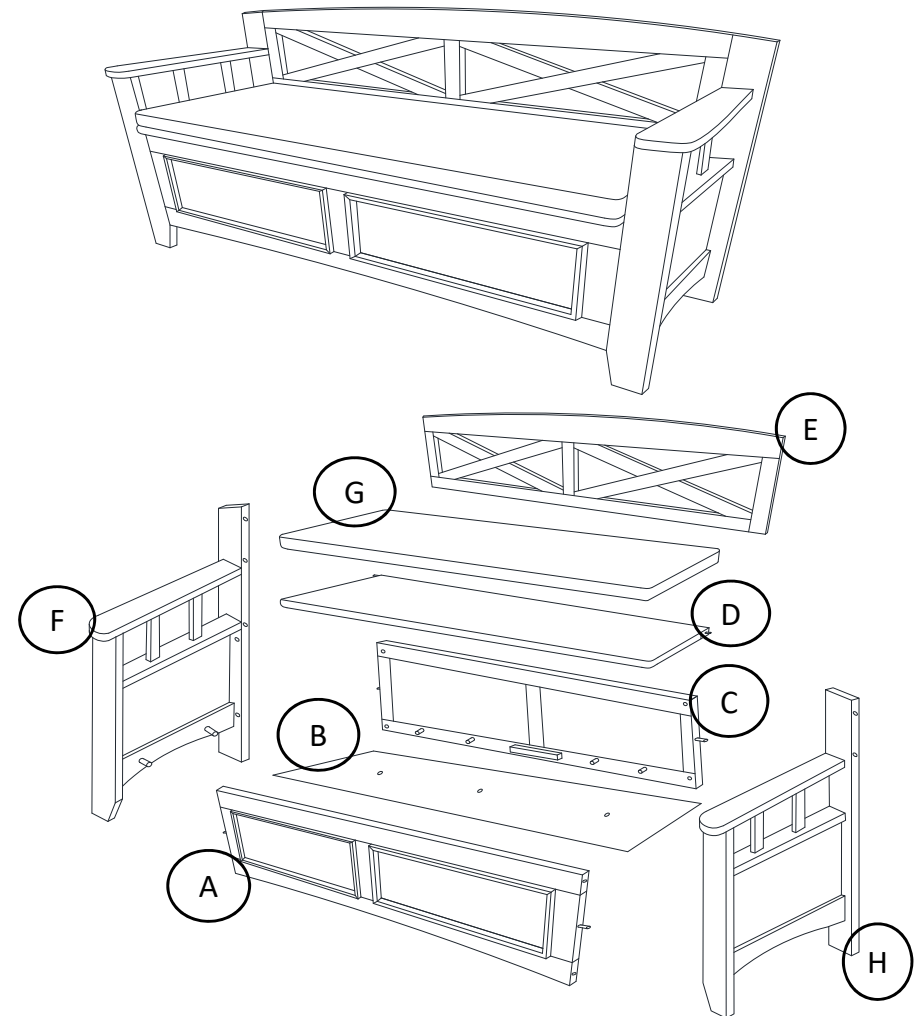
Part List

| PIECE | DESCRIPTION | PICTURE | QUANTITY |
|-------|------------------------|---|----------|
| A | FRONT PANEL | | 1 |
| B | BOTTOM PANEL | | 1 |
| C | BACK PANEL | | 1 |
| D | TOP SEAT | | 1 |
| E | BACKREST FRAME | | 1 |
| F | LEFT LEG FRAME | | 1 |
| H | RIGHT LEG FRAME | | 1 |
| G | CUSHION | | 1 |
| H1 | LONG WOOD CROSS SCREW | 6m x 80mm  | 8 |
| H2 | SHORT WOOD CROSS SCREW | 6m x 30mm  | 4 |
| H3 | SMALL WOOD SCREW | 3m x 15mm  | 8 |
| H4 | PLAT WASHER |  | 2 |
| H5 | LEFT LID SUPPORT |  | 1 |
| H6 | RIGHT LID SUPPORT |  | 1 |
| H7 | ALLEN KEY |  | 1 |

 **SAFAVIEH**
FURNITURE

Model#: BCH4600

Product Dimenions: 50W x 18"D x 30"H"



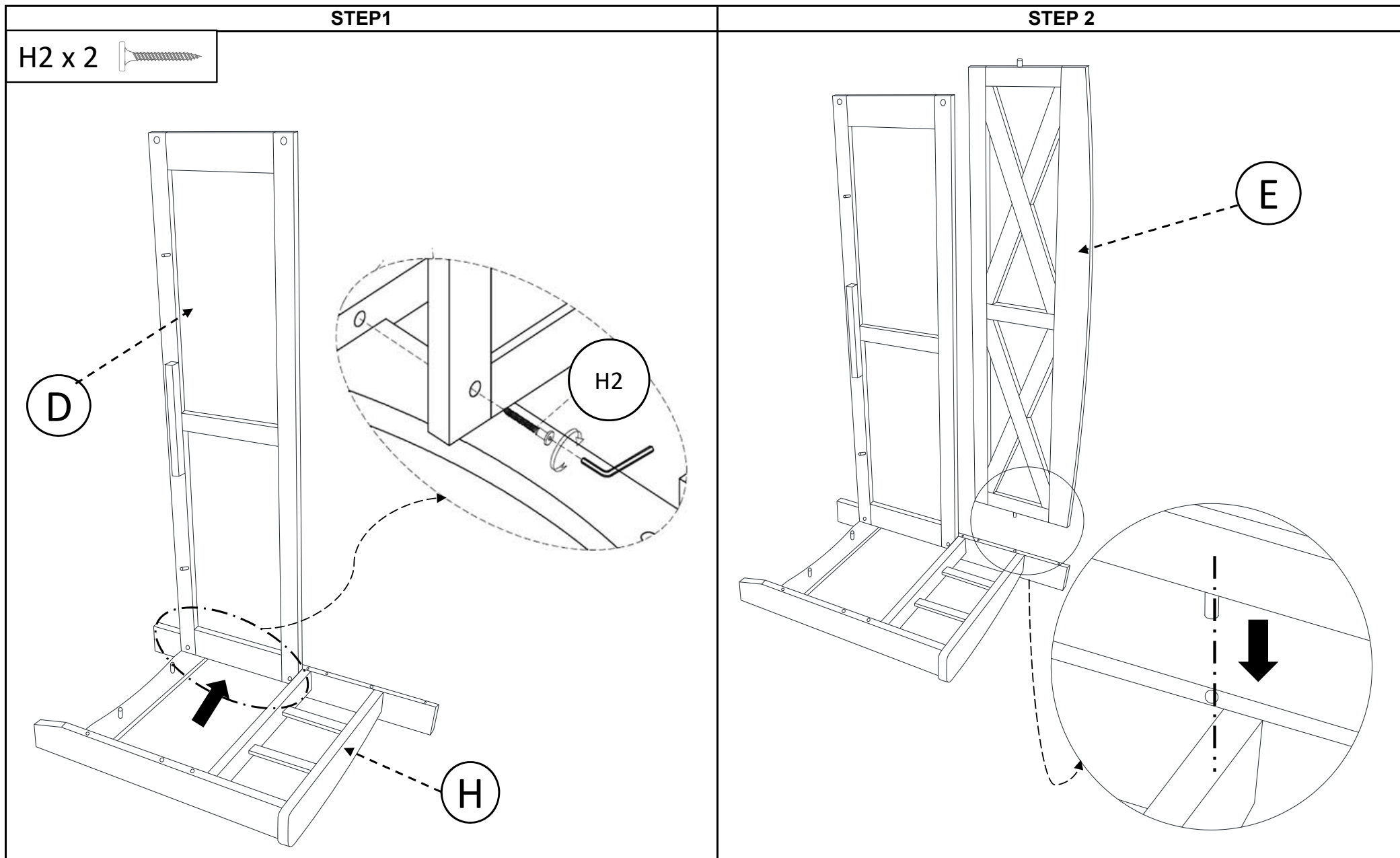
PREPARATION

Before beginning assembly of product, make sure all parts are present. Compare parts with package contents list and hardware contents list.

If any part is missing or damaged, do not attempt to assemble the product.

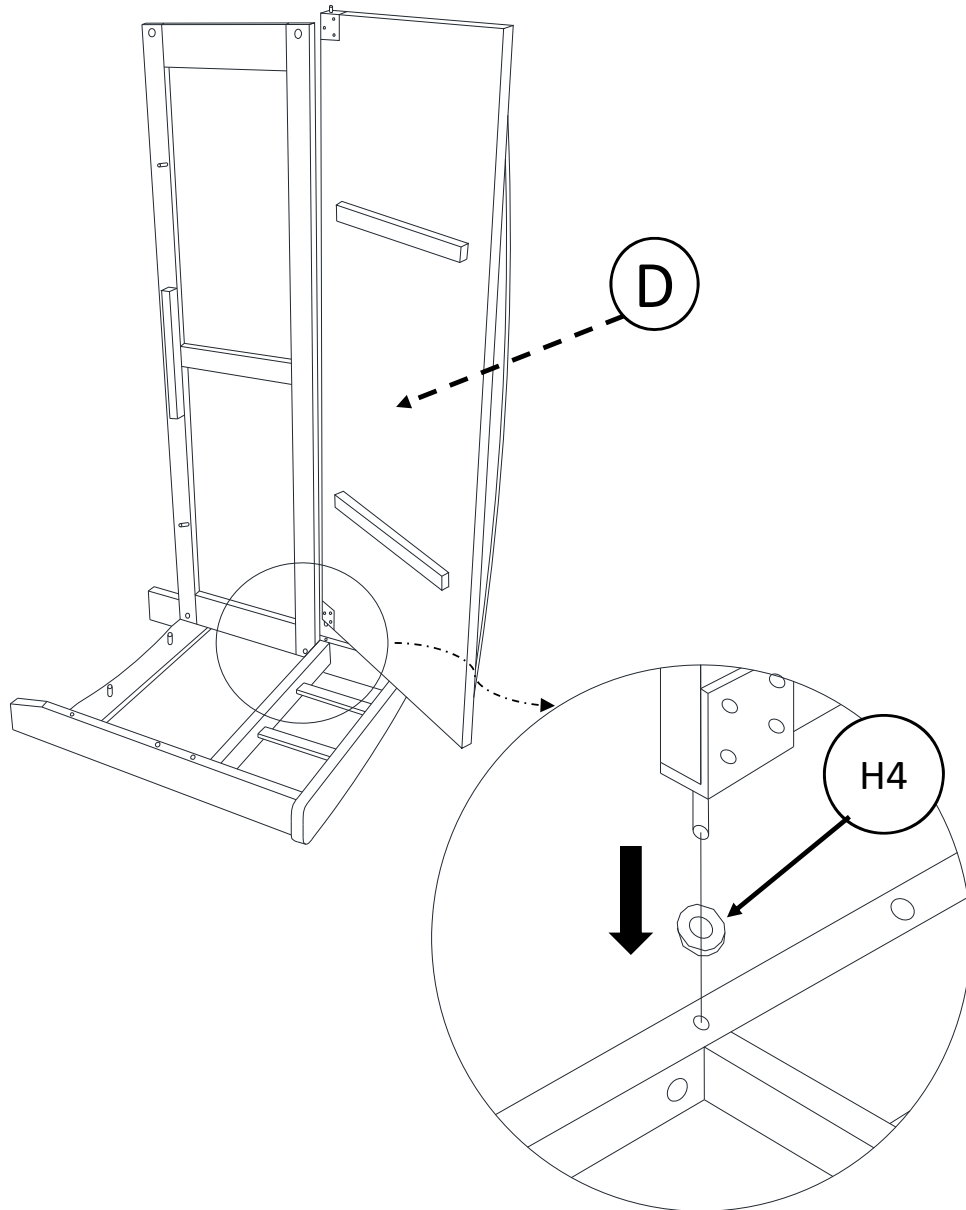
Estimated Assembly Time: 20 minutes.

Tools Required for Assembly : Allen Key (included) - Screw Driver (Not included)

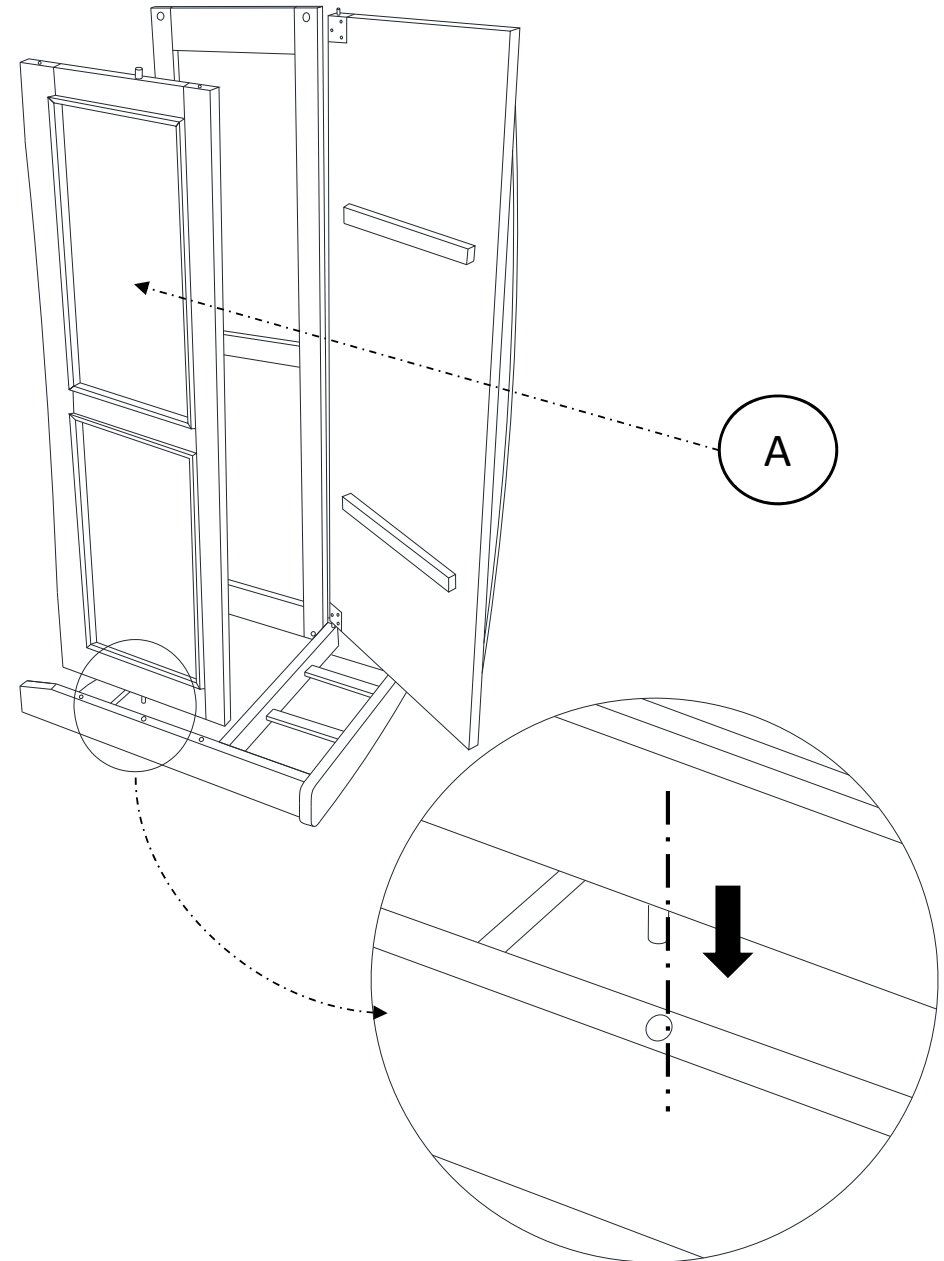


STEP 3




H4 x 1

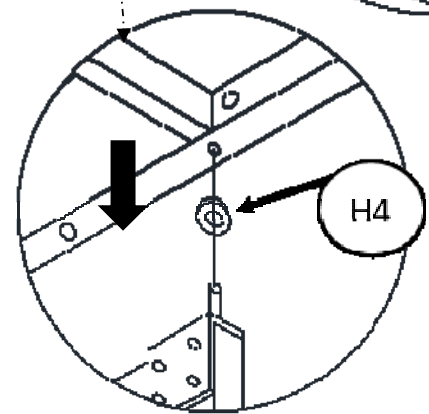
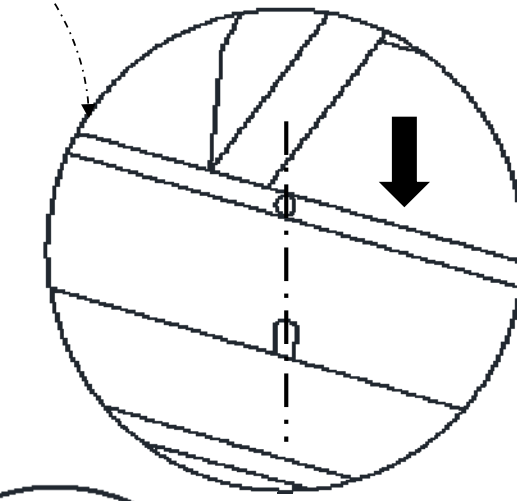
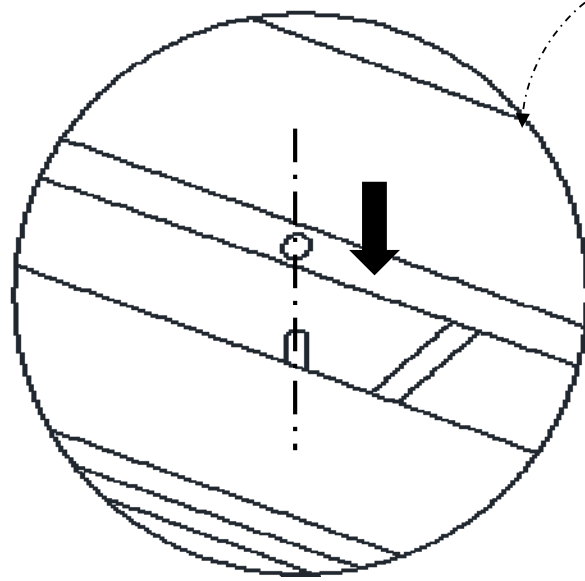
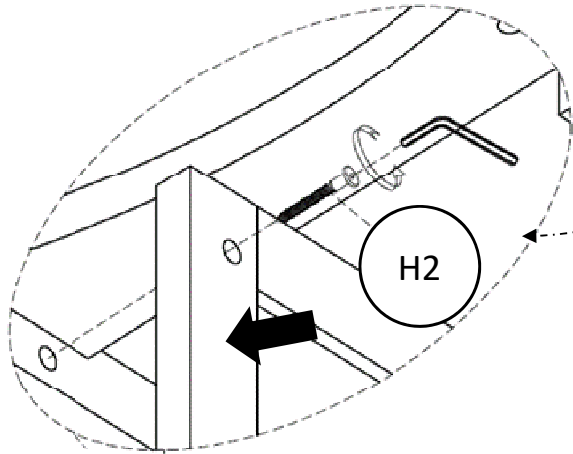
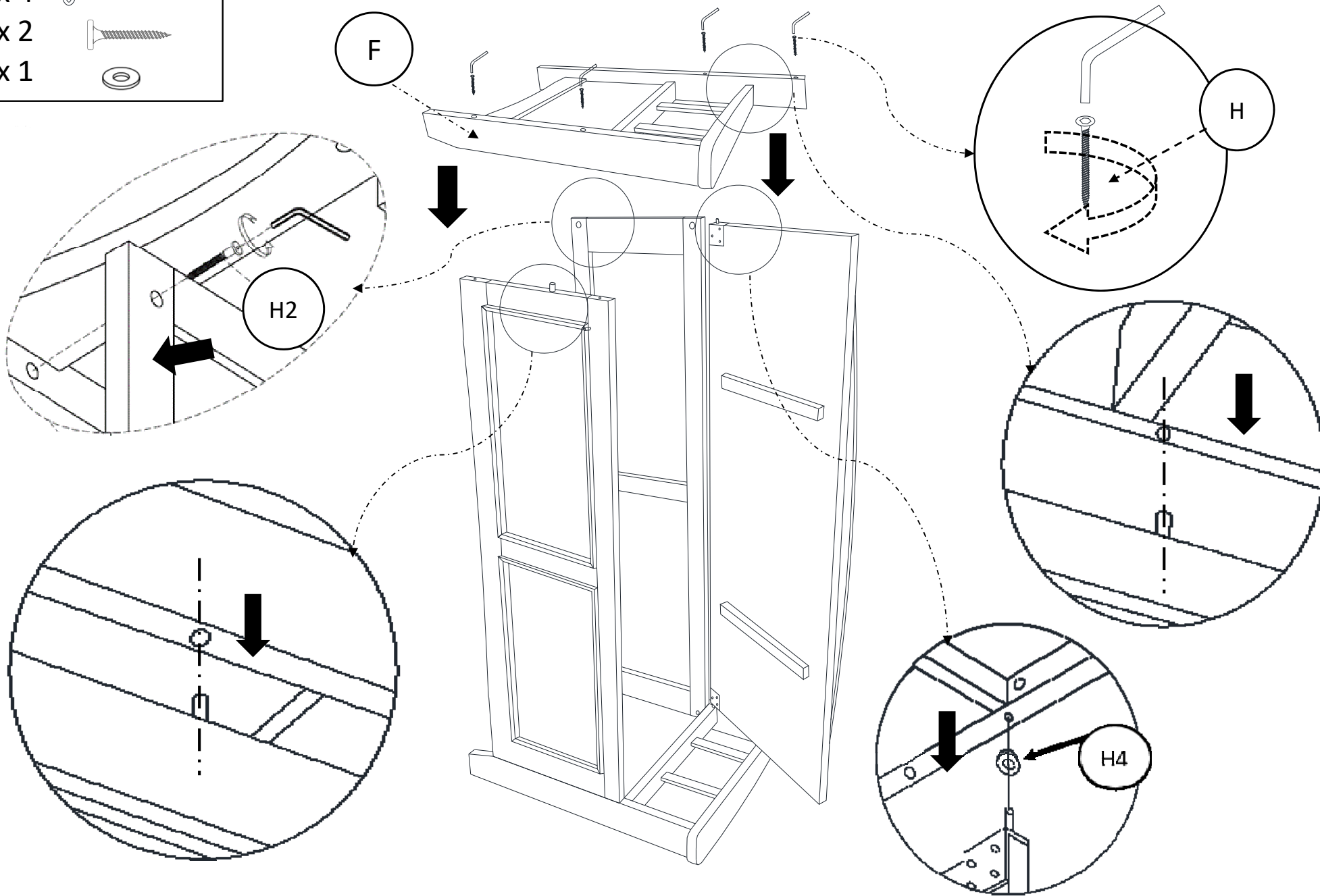


STEP 4



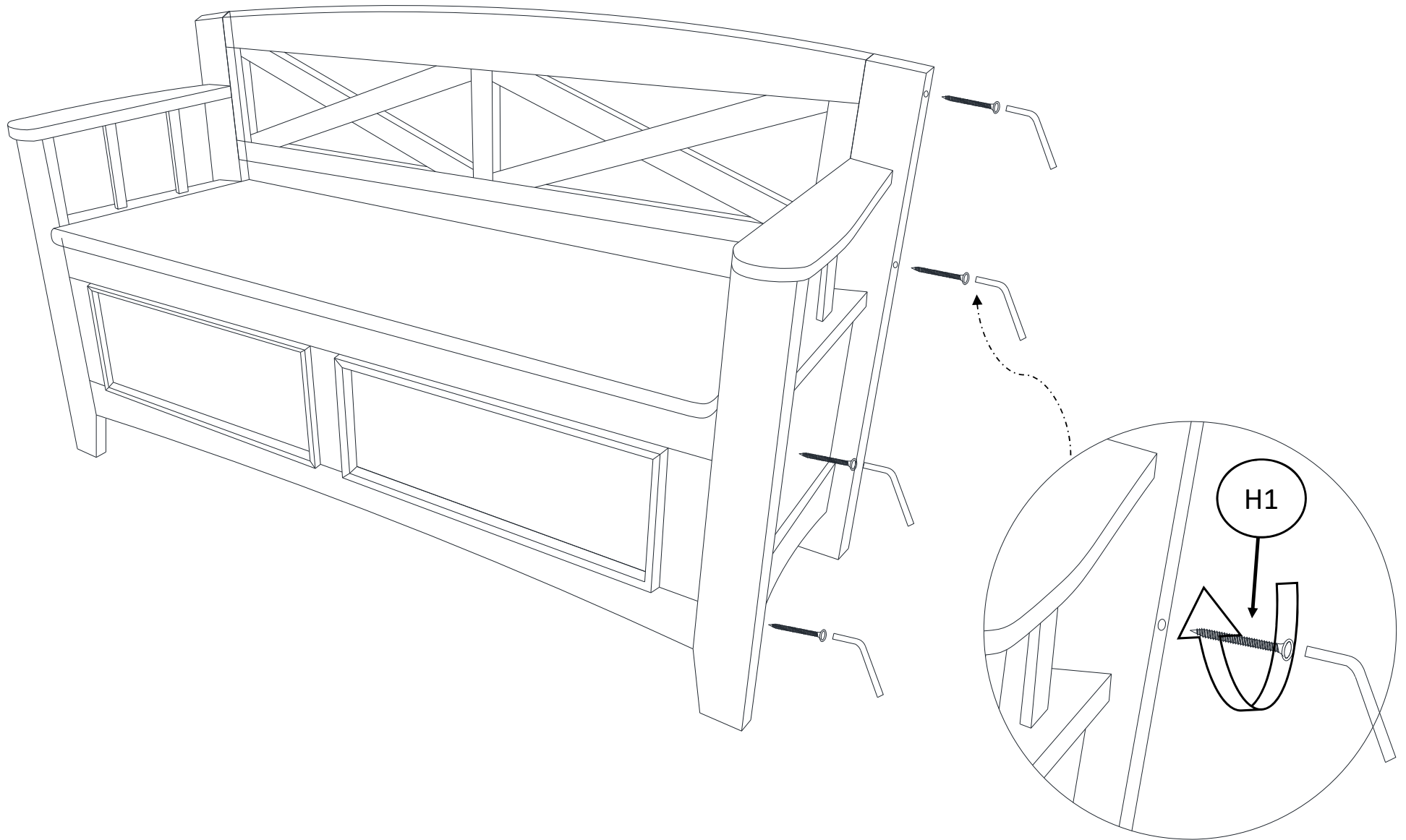
STEP 5

- H1 x 4 
- H2 x 2 
- H4 x 1 



STEP 6

H1 x 4



STEP 7

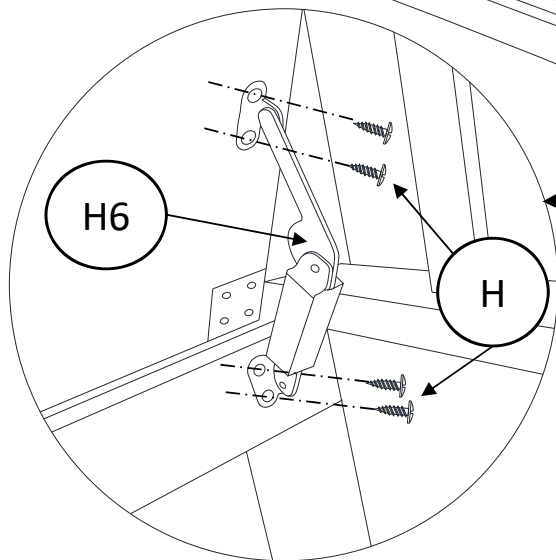
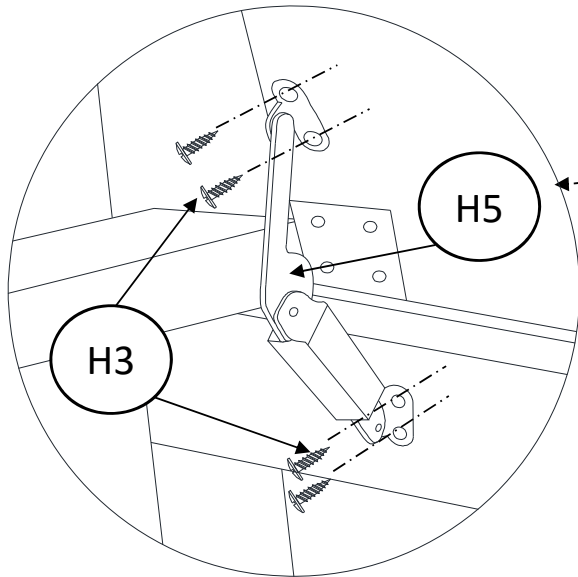
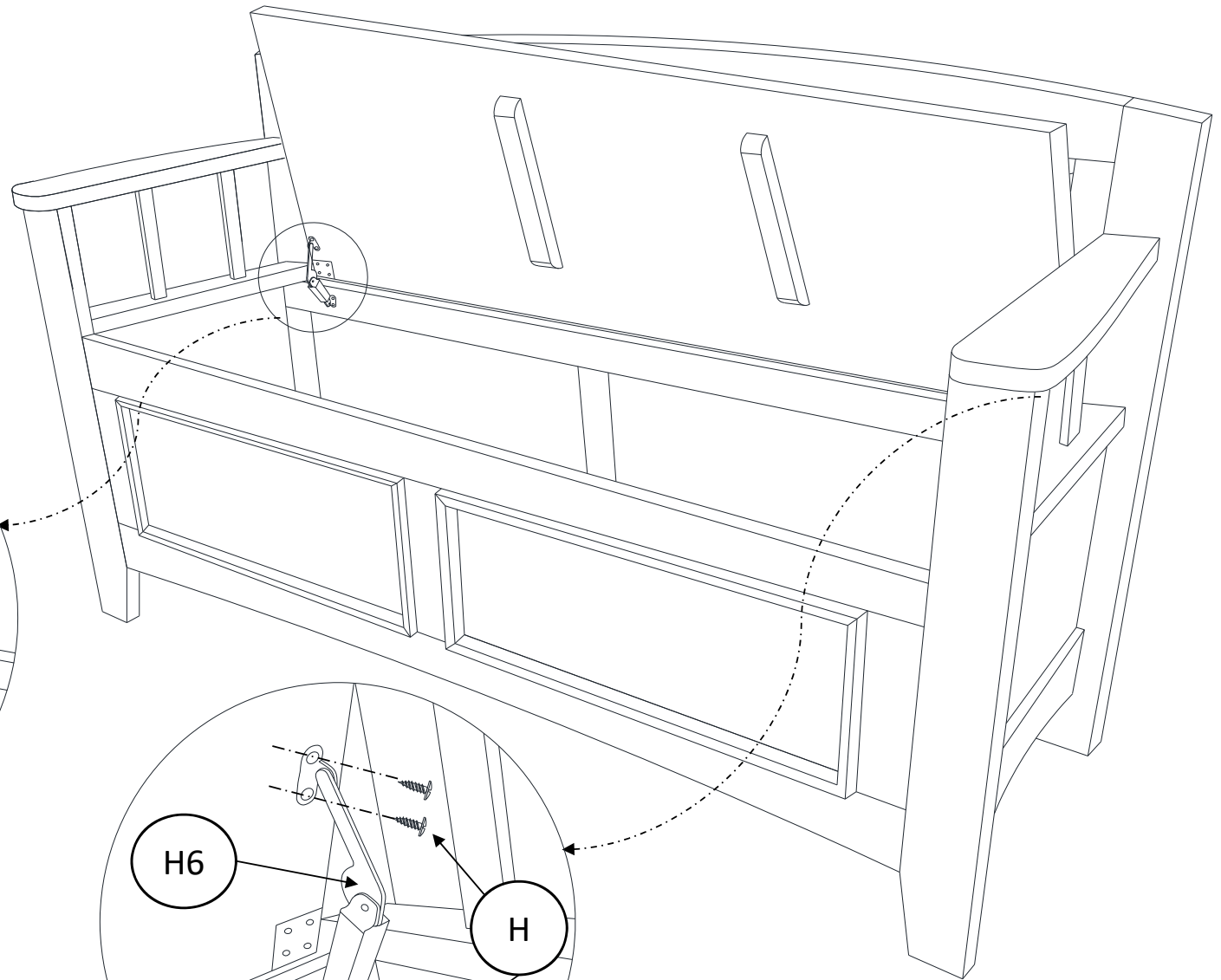
H5 x 1



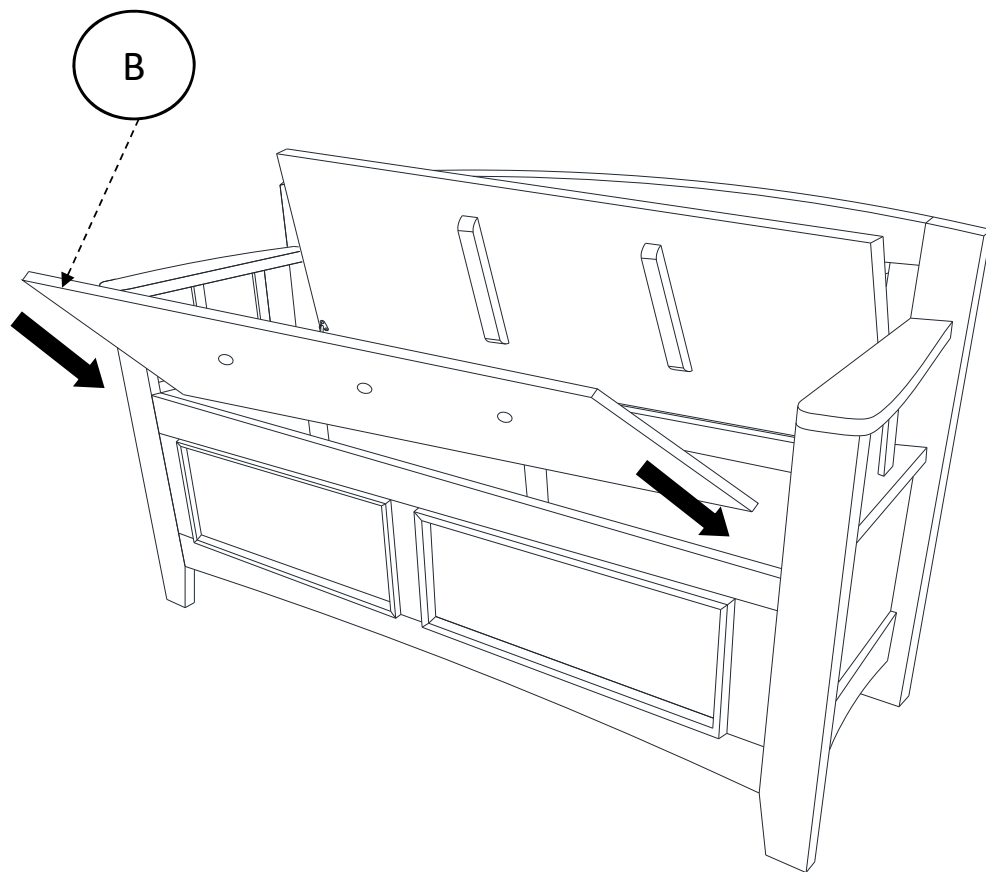
H6 x 1



H3 x 8

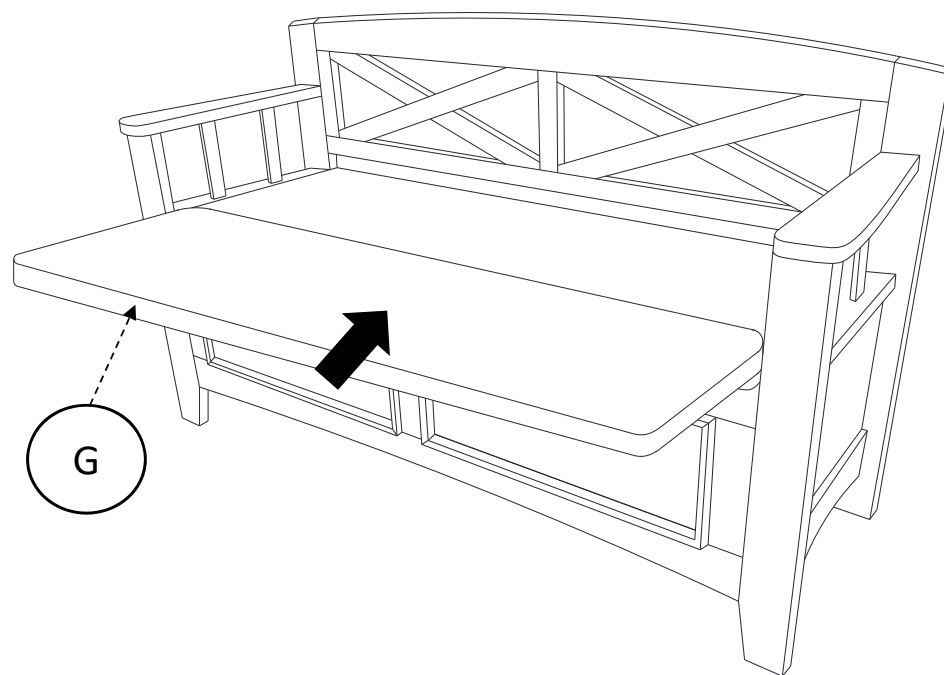


STEP8



STEP9

G x 1



WEIGHT LIMITS

- Seat 195LBS
- Storage bottom 30LBS