

CARE AND MAINTENANCE

Always use felt pads under all articles to prevent discoloration or softening of the lacquer. Plastic and rubber bases on items can discolor wood. Wipe up spills immediately and avoid common hazards such as hot dishes, harsh solvents and abrasives. Cleaning should be done with a soft lint free cotton cloth dampened with water.



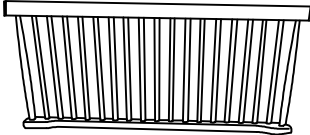
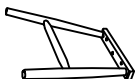
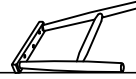




NOTICE

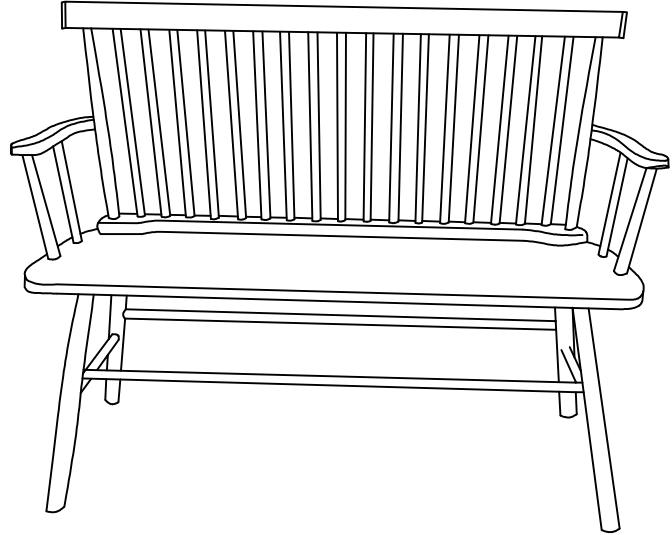
- *Please make sure that you have all parts indicated before you begin assembly of this item
- *This item should be assembled on a soft surface to prevent scratching the finish during assembly
- *This item may require periodic tightening

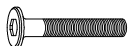

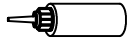
MODEL# AMH8513 A/B/C

PRODUCT DIMENSION: 47.5"W X 20" D X 36.5" H

PARTS IDENTIFICATION:

	Part List	Qty
1	 Back Frame	1PC
2	 Left Leg Frame	1PC
3	 Right Leg Frame	1PC
4	 Crossbar	2PCS
5	 Chair Seat	1PC
6	 Left Arm	1PC
7	 Right Arm	1PC



NO	HARDWARE LIST	QTY
A	 JCBC Screw	10pcs
B	 Flat Washer	2pcs
C	 Allen Key	1pc
D	 Wood Screw	8pcs
E	 Wood Button	2pcs
F	 Glue	1pc
G	 Foot Pad	4pcs

PREPARATION

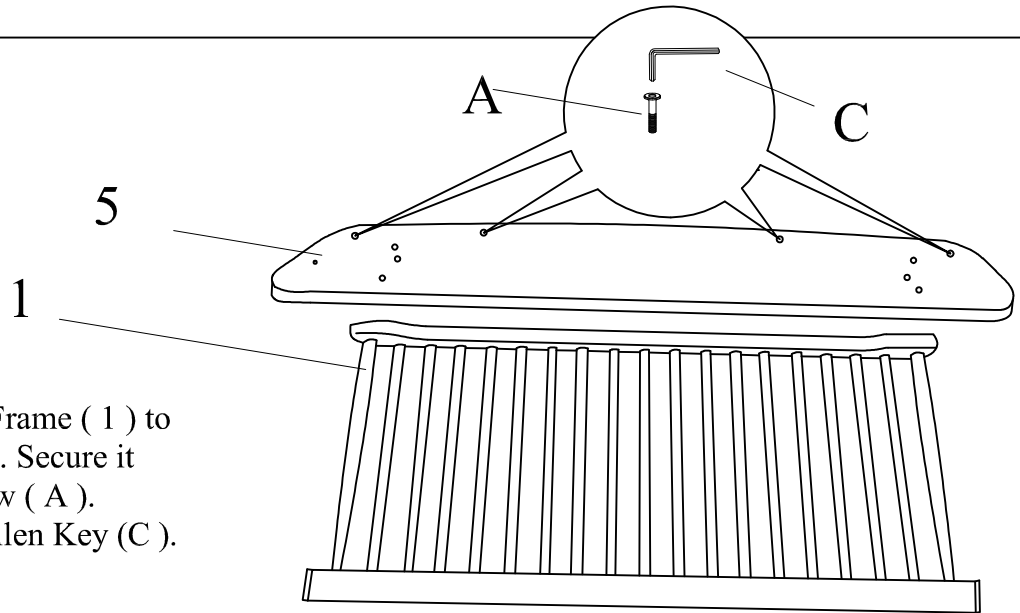
Before beginning assembly of product, make sure all parts are present. Compare parts with package contents list and hardware contents list.

If any part is missing or damaged, do not attempt to assemble the product.

Estimated Assembly Time: 10 minutes.

Tools Required for Assembly (included): N/A

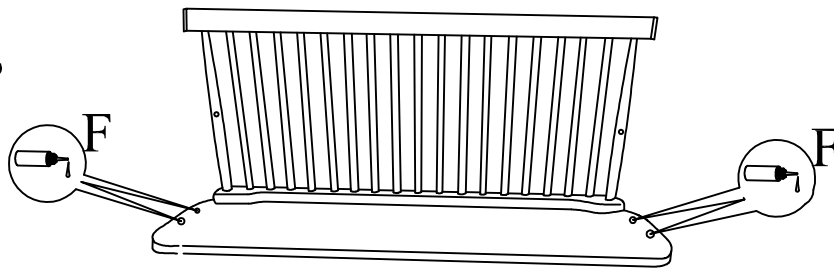
Step 1.



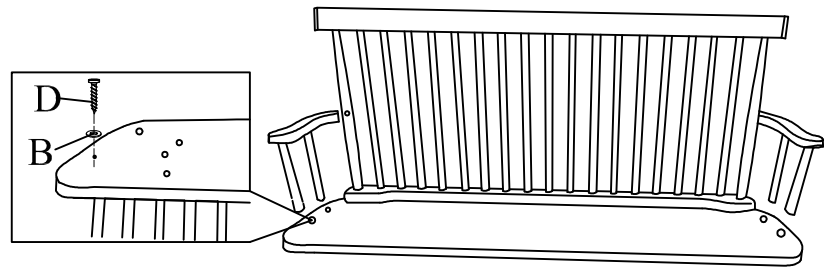
Attach the Back Frame (1) to the Chair Seat (5). Secure it using JCBC Screw (A). Tighten it with Allen Key (C).

Step 2.

Put the Glue (F) into the arm Hole



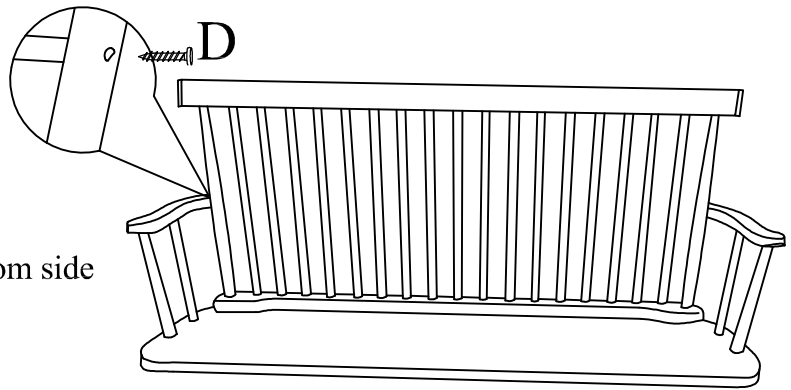
Step 3.



Attach the Left Arm (6) & Right Arm (7) into the Chair Seat (5) and the Back Frame (1). Using Wood Screw (D) and Flat Washer (B) from the bottom of chair seat.

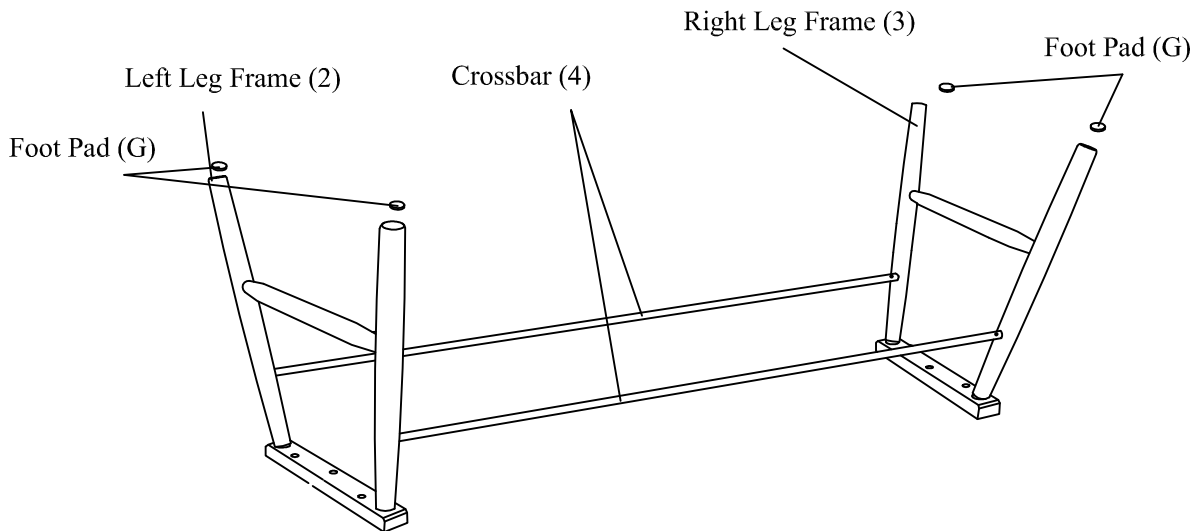
Step 4.

Secure it using Wood Screw (D) from side post.

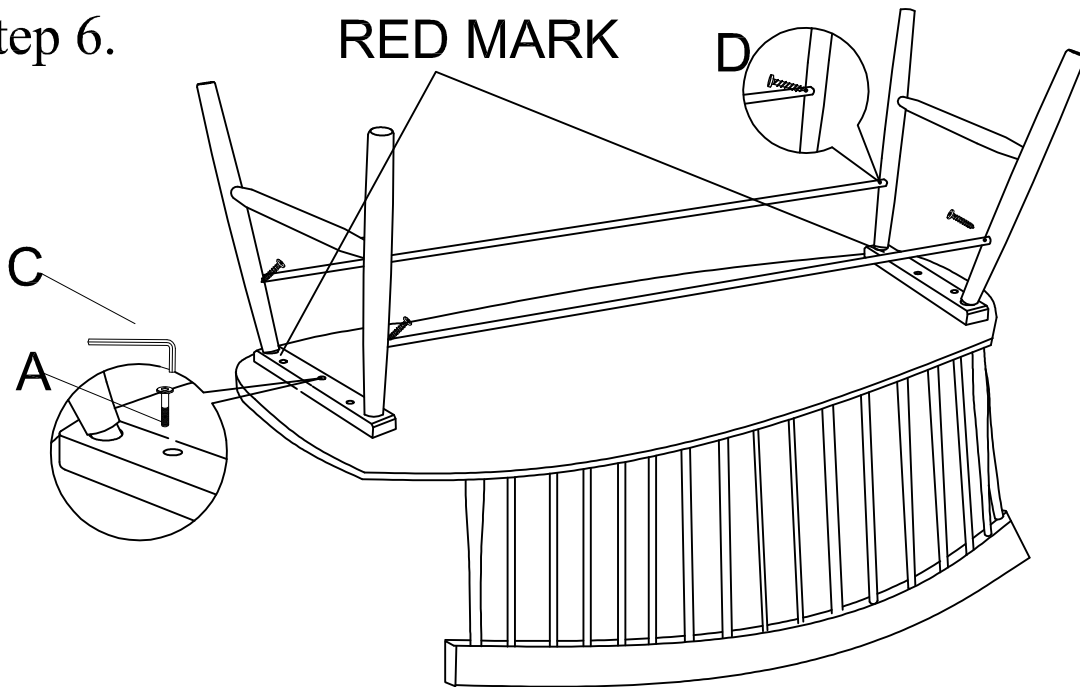


Step 5.

Install Crossbar (4) into holes on Left Leg Frame(2) and Right Leg Frame (3). Paste the foot pad (G) to the legs.



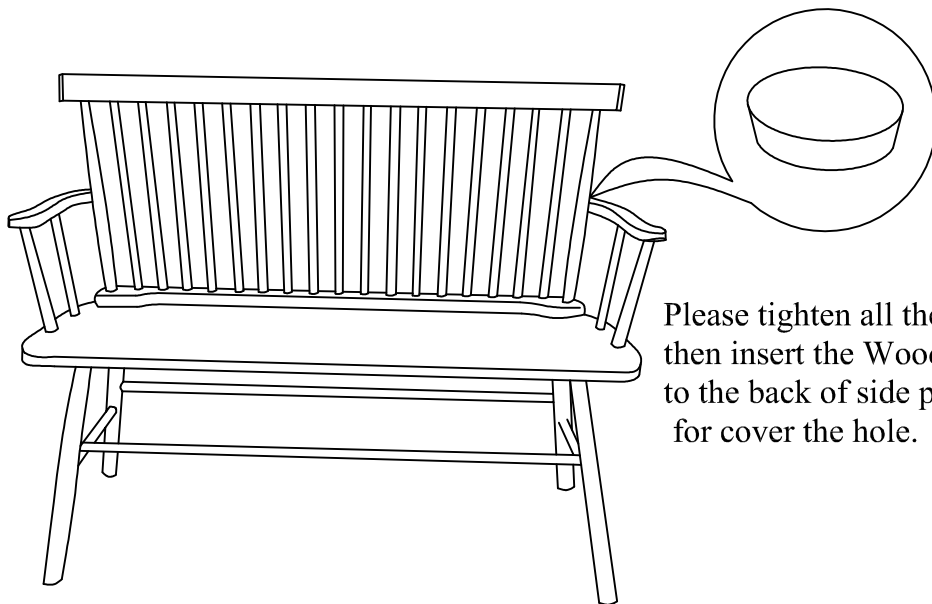
Step 6.



*** Front Legs with RED MARK must facing front.

Position the frame assembly into the bottom of chair seat. Align and tighten bolt into chair seat and frame using JCBC Screw (A) with Allen key (C). assemble Crossbar (4), Left Leg Frame and Right Leg Frame using Wood Screw (D) .

Step 7.



Please tighten all the Screws then insert the Wood Button (8) to the back of side post for cover the hole.