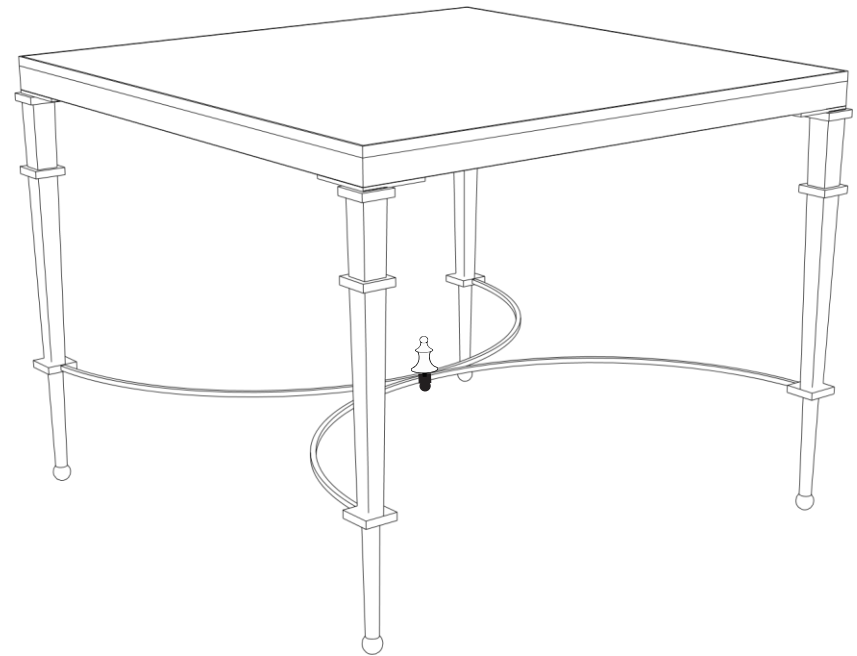


MENDEZ GOLD LEAF ACCENT TABLE

DESIGN # AMH8336

Assembly Instructions



Need help?

Feel free to contact us via email or call
if you have any specific questions!

contactus:

cs@safavieh.com


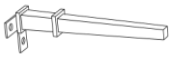




866-422-9070

SAFAVIEH
C O U T U R E

Thanks for bringing Safavieh Couture into your home

Every thing we make is incredibly simple to set up, including your new Side Table. You won't need any addition tools.

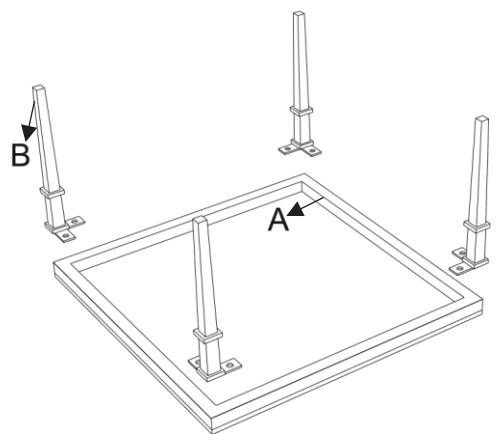
Parts List

- A x 1
Top Frame 
- B x 2
Leg 
- C x 1
Stretcher 
- D x 4
Feet 
- E x 1
Top Glass 
- F x 1
Stretcher Decor 

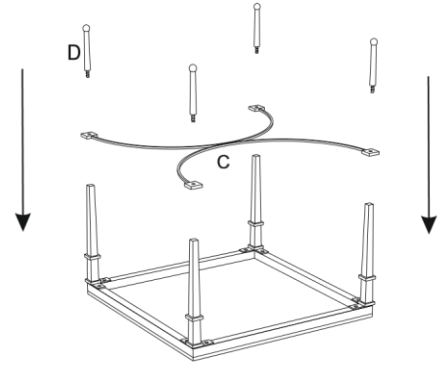
HardwareList

- HW1 x 8
Allen Bolt  2(M6x1x10mm)
- HW2 x 4
Glass Mat (Extra) 
- HW3 x 1
Allen Key 

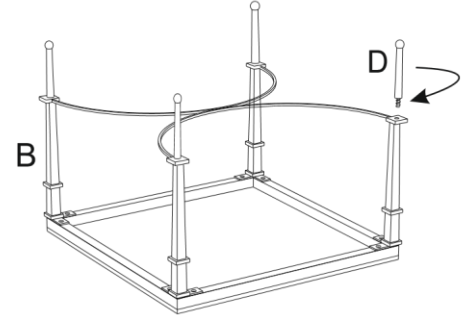
1
Place the Top Frame (A) upside down on a soft and clean surface. Align the screw holes on the Legs (B) to the screw holes underneath the Top Frame (A). Use the Allen Key (HW3) to screw in the Allen Bolts (HW1). Do not fully tighten the bolts.



2
Place the Stretcher (C) on the Legs (B). Then screw the Feet (D) in a clock wise direction in to the stretcher (C) .



3
Fully tighten the Bolts of all Legs (B) with the Allen Key (HW3).



4
Turn the table upright. Place the Top Glass (E) on the Top Frame (A). Screw the Stretcher Decor (F) on to the Stretcher (C) as shown below. Place the accent table in the place where you will use it. We'd love to see it –just tag us (we're @safavieh) and use the hastag #safavieh on instagram!

