

CARE AND MAINTENANCE

Spot clean using a mild water-free solvent. Only a professional cleaner should undertake a complete overall cleaning.

The use of steam or water-based cleaners may cause excessive shrinking or staining.

NOTICE

*Please make sure that you have all parts indicated before you begin assembly of this

*This item should be assembled on a soft surface to prevent scratching the finish during assembly


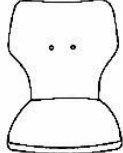

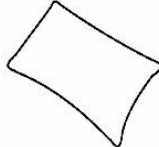
*This item may require periodic tightening

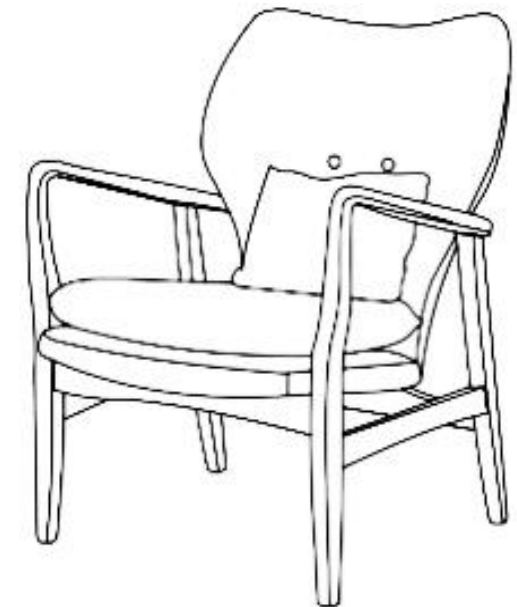


Item# ACH9500

Product Dimensions:26.38"Wx30.3"Dx33"H

Part List



PIECE	DESCRIPTION	PICTURE	QUANTITY
A	Frame		1X
B	Seat		1X
C	Cushion		1X
D	Pillow		1X



Weight Capacity:275lbs

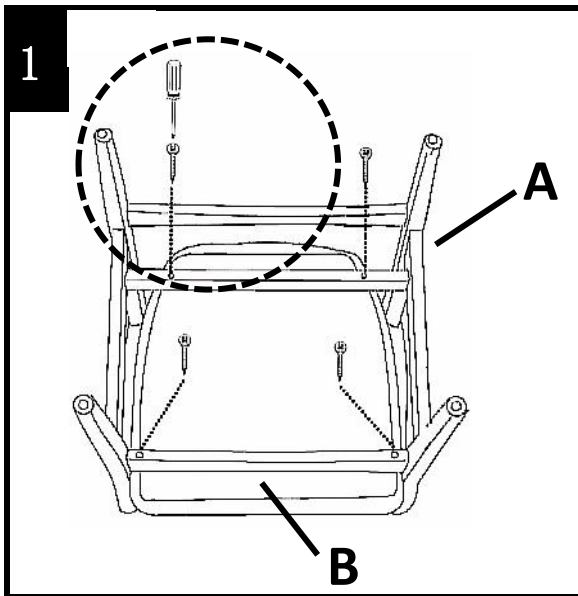
WARNING:DO NOT STAND ON CHAIR

Hardware

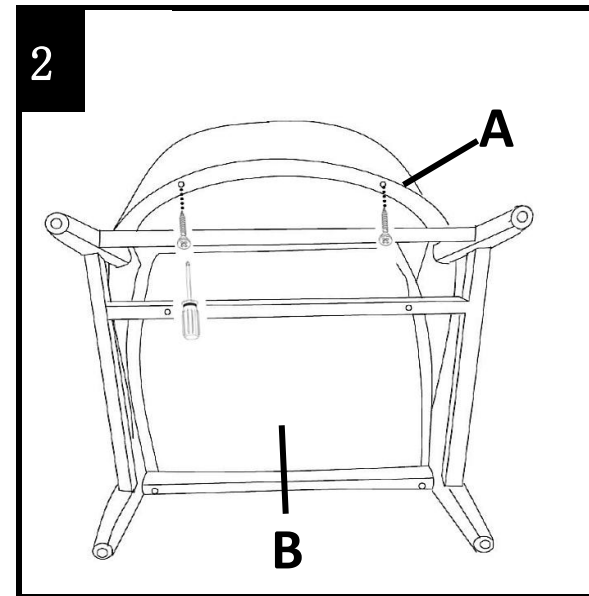
PIECE	DESCRIPTION	PICTURE	QUANTITY
①	Screw (M4*40mm)		6X
②	Screwdriver		1X

PREPARATION

Before beginning assembly of product, make sure all parts are present. Compare parts with package contents list. If any parts is missing or damage, do not attempt to assemble the product.
 Estimated Assembly Time:5 Minutes.



Step 1
 Place the Frame(A) with the Legs facing skywards on the Seat(B). Then, attach using Screws(①) with Screwdriver(②).



Step 2
 Press the seat back to the frame back, ensure there is no gaps between them. Next, Tighten the Screws on the back.