

NOTICE

- * Please make sure that you have all parts indicated and they are in good condition before you begin assembly of this item. Refer to part list and hardware list below for guidance.
- * This item should be assembled on a soft surface to prevent scratching the finish during assembly.
- * This item may require periodic tightening.
- * If you are having difficulty, our friendly Customer Care team is always here to help. Please email

customersupport@safavieh.com




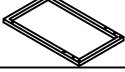



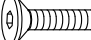

PREPARATION

- * Before beginning assembly of product, make sure all parts are present. Compare parts with package contents list.
- * If any part is missing or damaged, do not attempt to assemble the product.
- * Estimated Assembly Time: 20 minutes.
- * Tools Required for Assembly (included): Allen Key

CARE AND MAINTENANCE

Always use felt pads under all articles to prevent discoloration or softening of the lacquer. Plastic and rubber bases on items can discolor wood. Wipe up spills immediately and avoid common hazards such as hot dishes, harsh solvents and abrasives. Cleaning should be done with a soft lint free cotton cloth dampened with water or furniture polish. On highly used surfaces we recommend applying a quality paste wax which should be used on a regular basis to provide additional protection from scratches and spills. How often you apply the wax depends on how much wear the furniture receives.

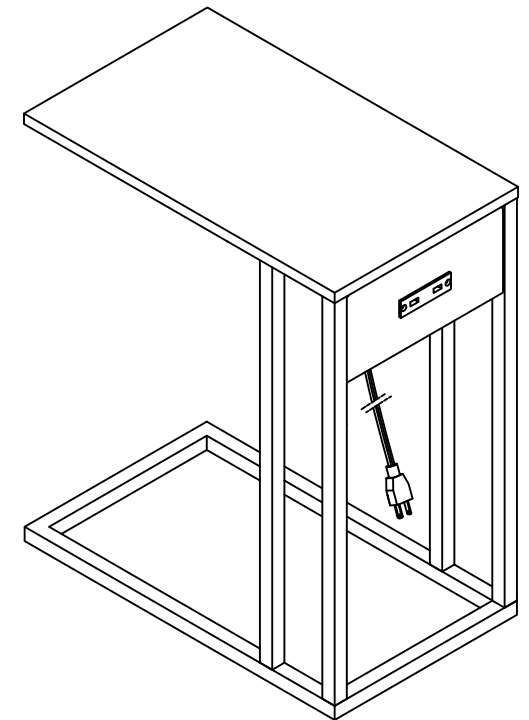
Part List and Hardware List

PIECE	DESCRIPTION	PICTURE	QUANTITY
A	Table Top		1X
B	Left Side Frame		1X
C	Right Side Frame		1X
D	Bottom Frame		1X
E	Side Board Mounted with USB Socket		1X
HW1	Allen Key		1X
HW2	Hex Bolt 1/4" x 1.2mm x 12mm		8X
HW3	Hex Bolt 1/4" x 1.2mm x 35mm		4X
HW4	Plastic Floor Stem		4X

 **SAFAVIEH**
FURNITURE

Model# ACC8003A

Product Dimension: 20"L x 11.8"D x 23.74"H



 **WARNING** 

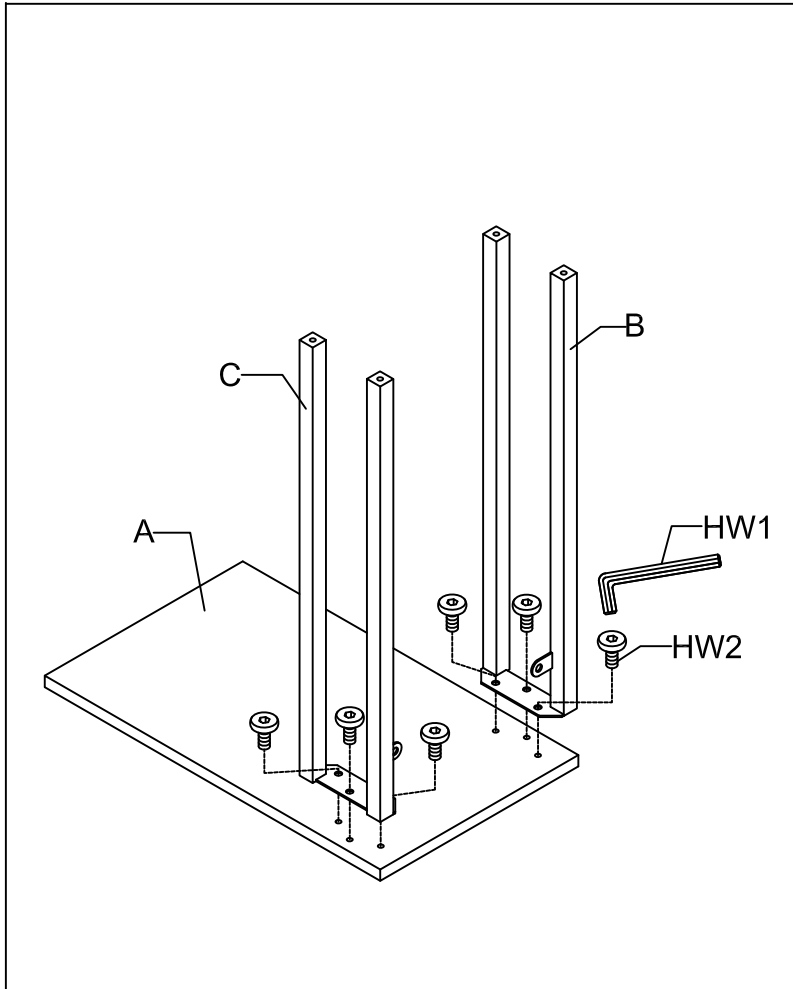
Weight Capacity - 20 LBS

Warning : Do not stand on table.

Warning : Do not over torque bolts.

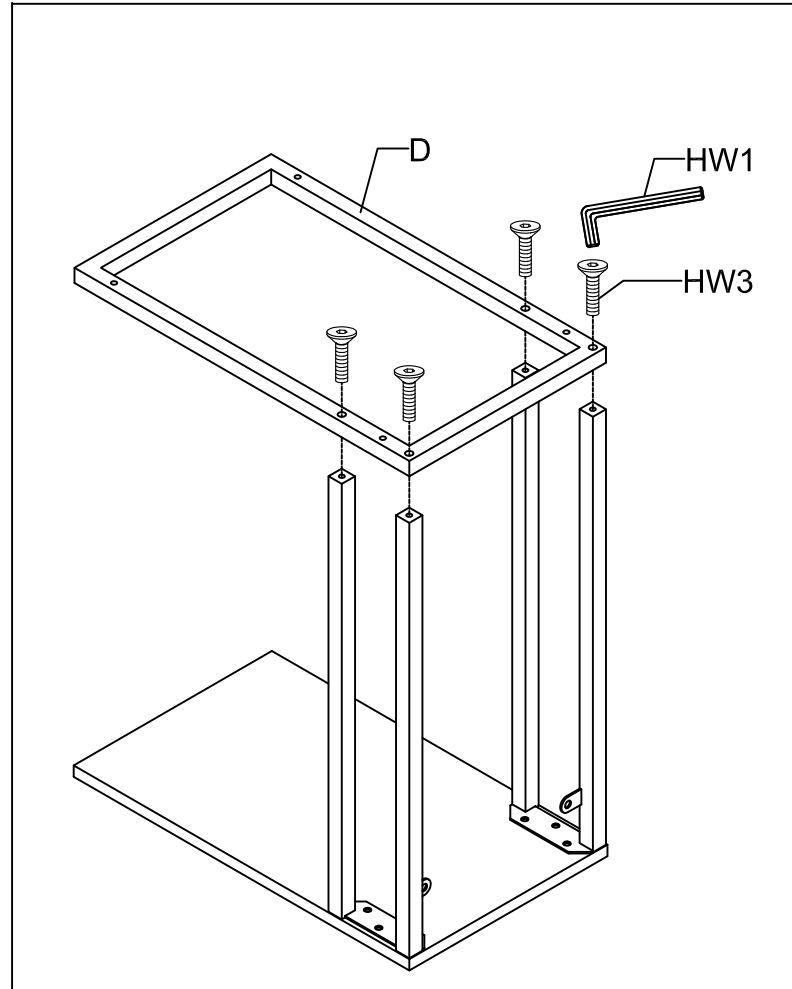
PREPARATION

- * Before beginning assembly of product, make sure all parts are present. Compare parts with package contents list.
- * If any part is missing or damaged, do not attempt to assemble the product.
- * Estimated Assembly Time: 20 minutes.
- * Tools Required for Assembly (included): Allen Key
- * If you having difficulty, our friendly Customer Care team is always here to help. Please email customersupport@safavieh.com



STEP1 :

Assemble table top (A) and side frame (B,C) with hex bolt (HW2) by use of Allen key (HW1) as shown in drawing.

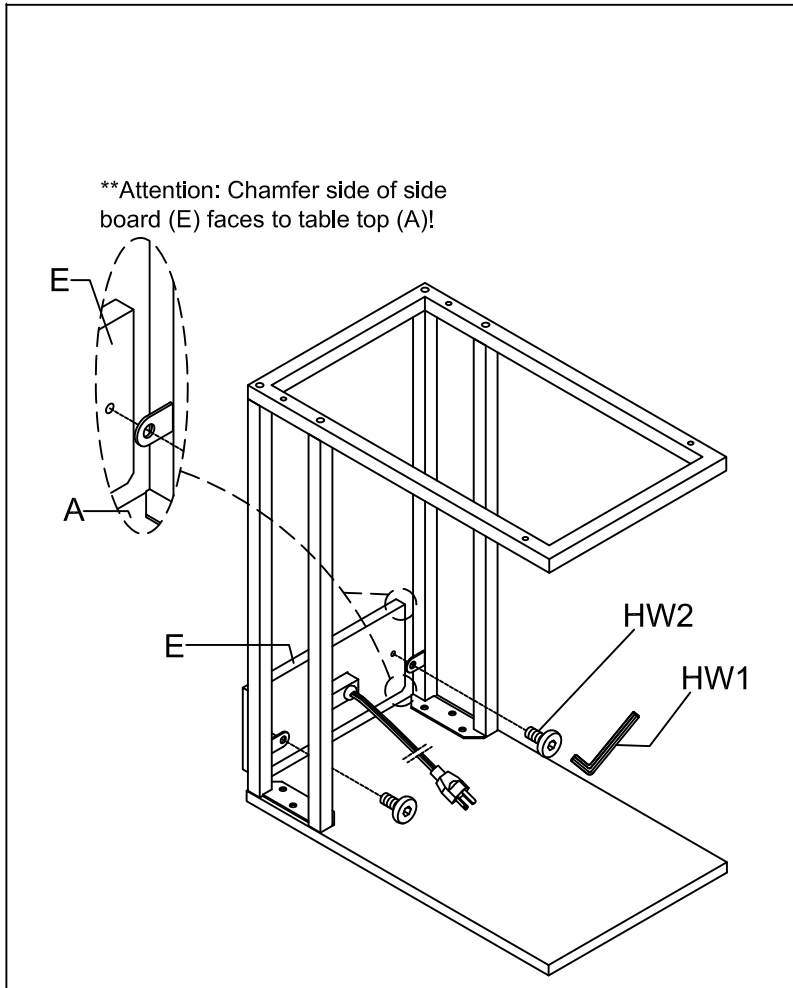


STEP2 :

Assemble bottom frame (D) and side frame (B,C) with hex bolt (HW3) by use of Allen key (HW1) as shown in drawing.

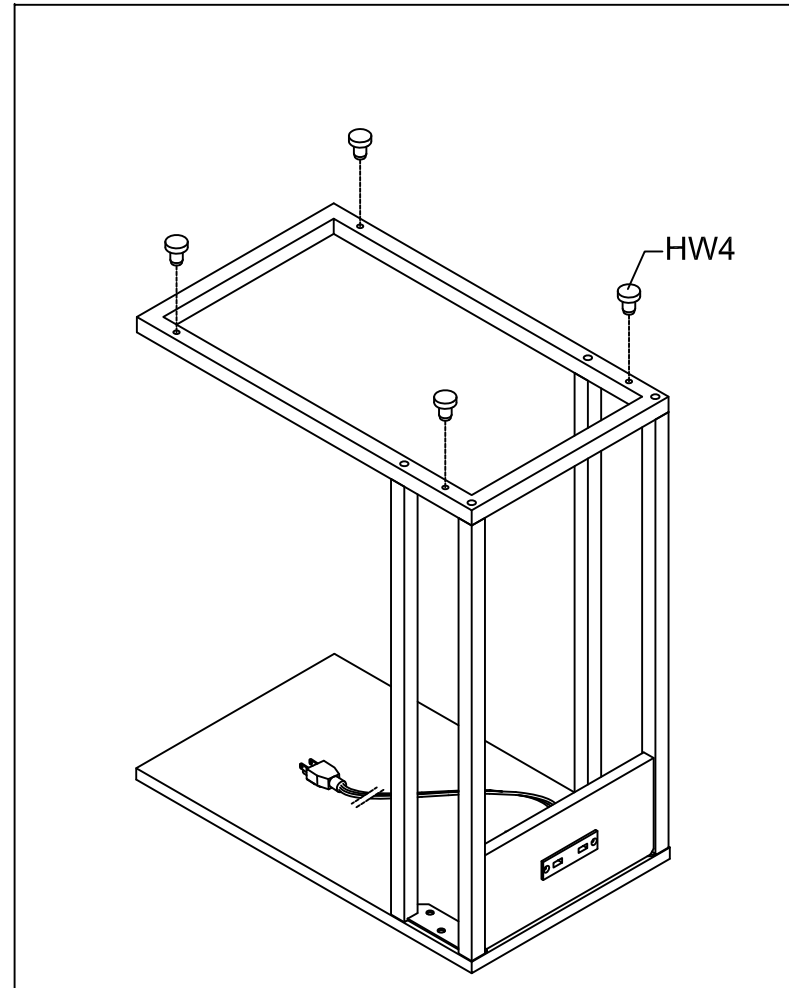
PREPARATION

- * Before beginning assembly of product, make sure all parts are present. Compare parts with package contents list.
- * If any part is missing or damaged, do not attempt to assemble the product.
- * Estimated Assembly Time: 20 minutes.
- * Tools Required for Assembly (included): Allen Key
- * If you having difficulty, our friendly Customer Care team is always here to help. Please email customersupport@safavieh.com



STEP3 :

Assemble side board (E) and side frame (B,C) with hex bolt (HW2) by use of Allen key (HW1) as shown in drawing.



STEP4 :

Insert plastic floor stem (HW4) into the holes on bottom frame (D) as shown in drawing.