

NOTICE

- * Please make sure that you have all parts indicated and they are in good condition before you begin assembly of this item. Refer to part list and hardware list below for guidance.
- * This item should be assembled on a soft surface to prevent scratching the finished goods during assembly.
- * Do not tighten bolts until completely.
- * This item may require periodic tightening.
- * If you are having difficulty, our friendly Customer Care team is always here to help. Please email customersupport@safavieh.com

PREPARATION

- * Before beginning assembly of product, make sure all parts are present. Compare parts with part contents list and hardware contents list.
- * If any part is missing or damaged, do not attempt to assemble the product.
- * Estimated Assembly Time: 20 minutes.
- * Tools Required for Assembly (included): Allen Key

CARE AND MAINTENANCE

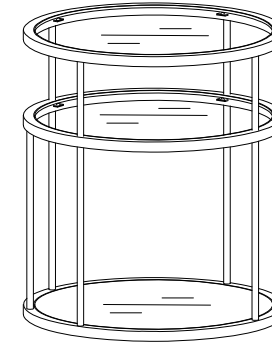
INDOOR METAL/ALUMINUM FURNITURE: Wipe spills immediately. Maintain with regular dusting and clean with mild soap and water, dry thoroughly and do not use a brass cleaner. Adhesive felt pads should always be used/applied in order to prevent damage to the furniture or surfaces on which the furniture is placed.

GLASS AND MIRROR CARE: Dust with a soft, dry cloth. Do not use abrasive cleaner. To clean mirror, spray a small amount of glass cleaner onto a lint-free cloth and wipe mirror clean.



Model# ACC6402

Product Dimensions: Ø20"D x 22-5/8"H



Weight capacity : 25 lbs on the top of the product
WARNING : DO NOT STAND ON PRODUCT
WARNING : DO NOT OVER TORQUE BOLTS

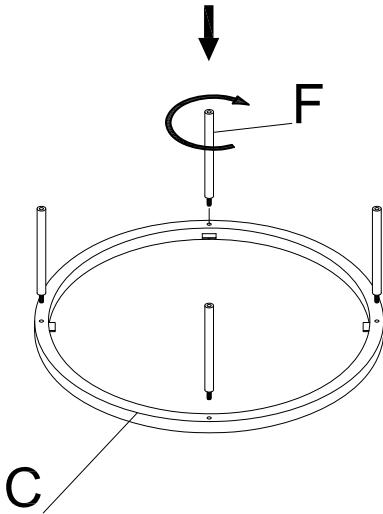
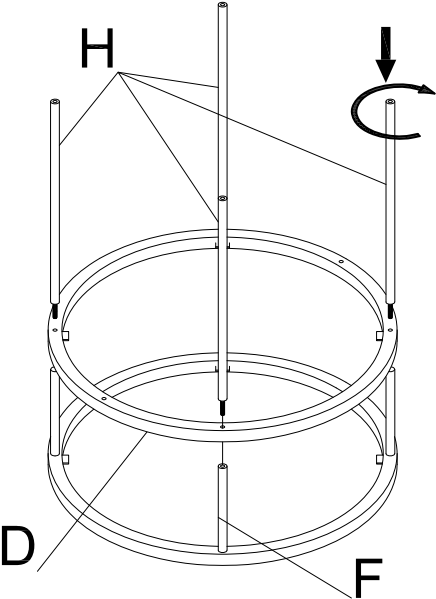
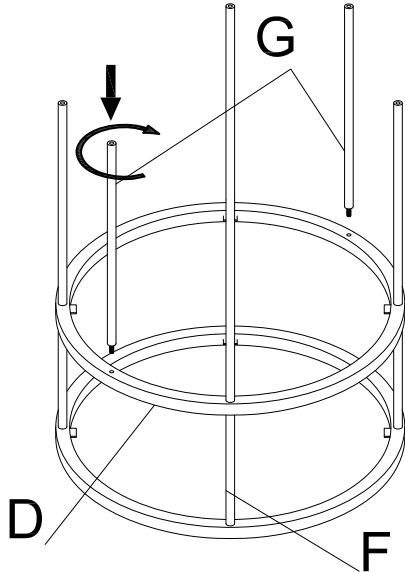
Part List and Hardware List

PIECE	DESCRIPTION	PICTURE	QTY
A	Glass		2x
B	Mirror		1x
C	Top frame		1x
D	Mid frame		1x
E	Bottom frame		1x
F	UPPER CONNECTING BAR - SHORTER		4x
G	LOWER CONNECTING BAR - LONGER		2x
H	LOWER CONNECTING BAR - LONGER (W/ long thread)		4x

PIECE	DESCRIPTION	PICTURE	QTY
HW1	HEX SOCKET BOLT	1/4"-20 x 1-1/2"	6x
HW2	Transparent silicone pad	Ø8	12x
HW3	Allen Key	M4	1x

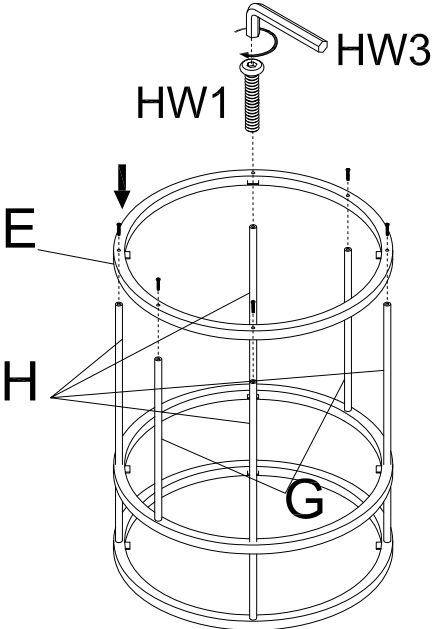
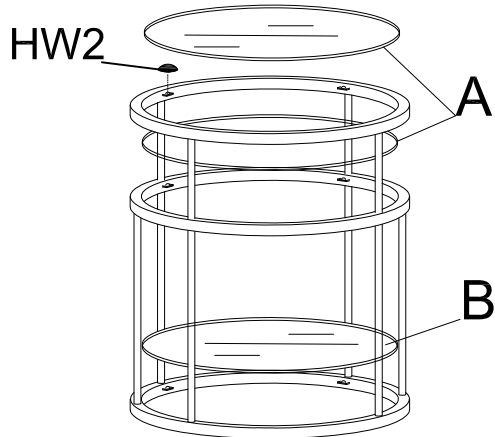
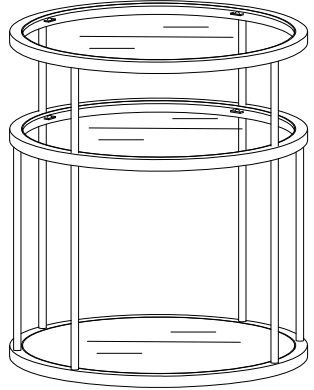
PREPARATION

- * Before beginning assembly of product, make sure all parts are present. Compare parts with part contents list and hardware contents list.
- * If any part is missing or damaged, do not attempt to assemble the product.
- * Estimated Assembly Time: 20 minutes.
- * Tools Required for Assembly (included): Allen Key
- * If you are having difficulty, our friendly Customer Care team is always here to help. Please email customersupport@safavieh.com

<p>1</p> 	<p>2</p> 	<p>3</p> 
<p>Step 1</p> <p>Rotating the 4*Upper connecting bar - shorter (F) into the corresponding screw holes at the bottom of Top frame (C), As picture.</p>	<p>Step 2</p> <p>Place the Mid frame (D) on and make the holes position is aligned with Upper connecting bar - shorter (F). Rotating the 4* Lower connecting bar - longer (W/ long thread) (H) into the corresponding screw holes of Mid frame (D).</p>	<p>Step 2</p> <p>Rotating the 2* Lower connecting bar - longer (G) into the corresponding screw holes at the bottom of Mid frame (D).</p>

PREPARATION

- * Before beginning assembly of product, make sure all parts are present. Compare parts with part contents list and hardware contents list.
- * If any part is missing or damaged, do not attempt to assemble the product.
- * Estimated Assembly Time: 20 minutes.
- * Tools Required for Assembly (included): Allen Key
- * If you are having difficulty, our friendly Customer Care team is always here to help. Please email customersupport@safavieh.com

<p>4</p> 	<p>5</p> 	<p>6</p> 
<p>Step 4</p> <p>Place the Bottom frame (E) on and make the holes position is aligned with 6*Lower connecting bars (2*G & 4*H), By using the Allen Key (HW3) to lock with 6*Hex Socket Bolts (HW1).</p>	<p>Step 5</p> <p>Straighten up the assembled iron frame. Place 12*Transparent Silicone Pads (HW2) on 3 iron table frames respectively before having 2*Glass (A) for top and shelf & bottom mirror (B) placed.</p>	<p>Step 6</p> <p>Assembly is completed.</p>